

AVK RESILIENT SEATED GATE VALVE, PN10/16, CTC
DN50-400, WRAS approved rubber, 1.4401 stem, A4 bolts, GSK coated

21/30

AVK gate valves are designed with built-in safety in every detail. The wedge is fully vulcanized with AVK's own drinking water approved EPDM rubber compound. It features an outstanding durability due to the ability of the rubber to regain its original shape, the double bonding vulcanization process and the sturdy wedge design. The triple safety stem sealing system, the high strength stem and the thorough corrosion protection safeguard the unmatched reliability.

Product Description:

Flanged gate valve to BS EN 1074-2 / BS 5163- for drinking water and neutral liquids to max. 70° C

Standards:

- Designed according to EN 1074 - 2 Annex B (BS5163/Type B)
- Face to face according to EN 558 table 2 Basic Series 3
- Standard flange drilling to EN1092 (ISO 7005-2), PN 10/16

Test/Approvals:

- Hydraulic test according to EN 1074-1 and 2 / EN 12266.
- Seat: 1.1 x PN (in Bar), Body: 1.5 x PN (in Bar). Operation torque test.
- Approved according to WRAS

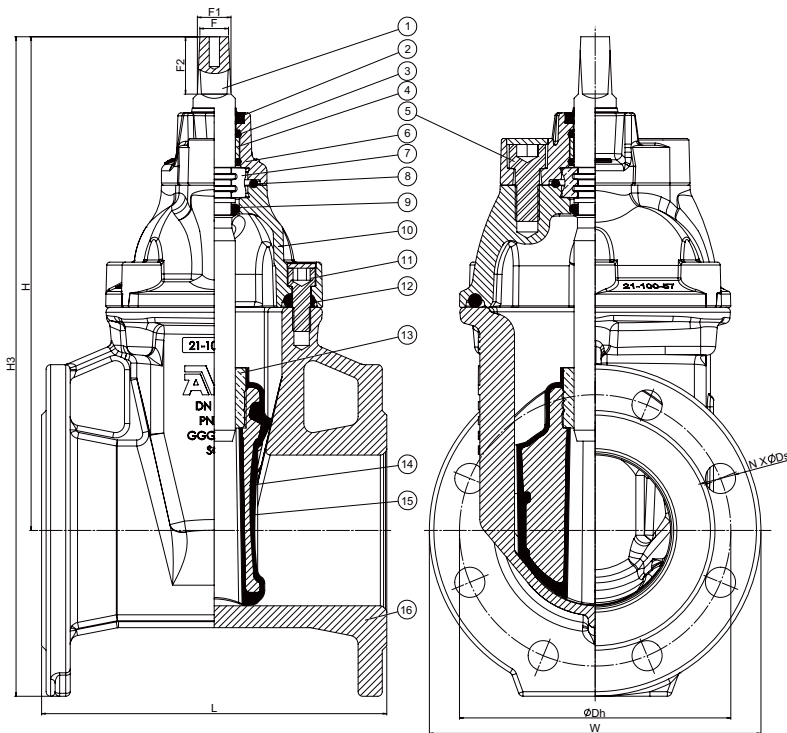
Features:

- Fixed, integral wedge nut prevents vibration and ensures durability.
- The ductile iron core is fully vulcanized with drinking water approved EPDM rubber, no iron parts are exposed to the medium and the excellent rubber vulcanization prevents creeping corrosion underneath the rubber.
- Guides in the wedge and on the valve body ensure a uniform closure, safe operation ensured as the guides prevent overloading of the stem.
- The wedge has a large through bore and as there are no hollows in the core, stagnant water or impurities can't collect and cause contamination.
- Stainless steel stem with rolled threads for high strength.
- Full circle brass thrust collar provides fixation of the stem and low free running torques.
- Triple safety stem sealing with an NBR wiper ring, a polyamide bearing with two EPDM O-rings, and another EPDM O-ring on stem, which prevents leakage when exchanging stem seals under pressure.
- Round bonnet gasket fixed in a recess groove in bonnet preventing it from being blown out by pressure surges.
- Countersunk and sealed bonnet bolts encircled by the bonnet gasket, thus there is no risk of corrosion.
- Full bore.
- Blue fusion bonded epoxy GSK approved.

Accessories:

Stem cap, handwheel, extension spindle, street cover, flange adaptor and combi-flange





Component List:

1. Stem	Stainless steel 1.4401	2. Wiper ring	NBR rubber
3. O-ring	EPDM rubber	4. Bushing	Polyamide
5. Gland bolt	Stainless steel A4	6. Gland flange	Ductile iron, EN-GJS-500-7(GGG-50)
7. Thrust collar	Dezincification resistant brass	8. O-ring	EPDM rubber
9. O-ring	EPDM rubber	10. Bonnet	Ductile iron, EN-GJS-500-7(GGG-50)
11. Bonnet bolt	Stainless steel A4	12. Bonnet gasket	EPDM rubber
13. Wedge nut	Dezincification resistant brass	14. Wedge core	Ductile iron
15. Wedge rubber	EPDM rubber	16. Body	Ductile iron, EN-GJS-500-7(GGG-50)

Components can be substituted with equivalent or higher class materials.

Reference Nos. and Dimensions:

AVK ref. nos	DN mm	Flange drilling	L mm	H mm	H3 mm	F mm	F1 mm	F2 mm	W mm	Dh mm	Ds mm	Bolt no.	Theoretical weight kg
21-050-50-0141264	50	PN10/16	178	281	364	19	22	38	165	125	21	4	14.0
21-065-50-0141264	65	PN10/16	190	288	382	19	22	38	185	145	21	4	16.0
21-080-50-0141264	80	PN10/16	203	296	397	19	22	38	200	160	20	8	17.0
21-100-50-0141264	100	PN10/16	229	328	440	19	22	38	220	180	20	8	22.0
21-150-50-0141264	150	PN10/16	267	432	576	24	28	42	285	240	24	8	40.0
21-200-50-0041264	200	PN10	292	561	733	27	31	47	340	295	25	8	55.0
21-200-50-0141264	200	PN16	292	561	733	27	31	47	340	295	25	12	55.0
21-250-50-0041264	250	PN10	330	604	806	27	31	47	400	350	25	12	84.0
21-250-50-0141264	250	PN16	330	604	806	27	31	47	400	355	30	12	84.0
21-300-50-0041264	300	PN10	356	682	911	27	31	47	455	400	25	12	122.0
21-300-50-0141264	300	PN16	356	682	911	27	31	47	455	410	30	12	122.0
21-350-50-0041264	350	PN10	381	821	1074	32	37	55	505	460	25	16	182.0
21-350-50-0141264	350	PN16	381	821	1088	32	37	55	533	470	30	16	214.0
21-400-50-0041264	400	PN10	406	848	1131	32	37	55	565	515	30	16	192.0
21-400-50-0141264	400	PN16	406	848	1138	32	37	55	580	525	33	16	221.0

For further details see section "Technical Information".
The designs, materials and specifications shown are subject to change without notice due to the continuous development of our product programme.